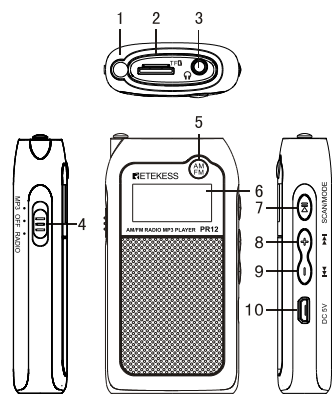


**NOMENCLATURE**



1. FM antenna
2. Micro SD card slot
3. Earphone jack
4. Function switch:  
SD/power off/radio
5. AM/FM selector
6. LCD display
7. SCAN/MODE
8. Next/volume +
9. Previous/volume -
10. DC 5V jack

**LCD DISPLAY ILLUSTRATION**

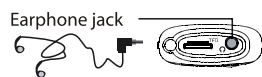


1

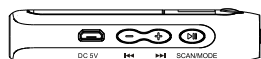
1. Micro SD card playback mode
  2. FM radio playback mode
  3. AM radio playback mode
  4. MP3 playback mode
  5. WMA playback mode
  6. Battery indicator
  7. AM frequency unit
  8. FM frequency unit
  9. Remarks:
- It will show track # for about two seconds when press previous or next.
  - It will show "000--015" playback time under song playback mode.
  - It will show frequency when listen to radio.

**NOMENCLATURE**

1. You can use an earphone to listen to music or radio so as to not disturb others.
- Insert the earphone plug into "Earphone jack" (3).



2. Long press Volume+(8) or Volume-(9) to the level you need.



**POWER ON/OFF**

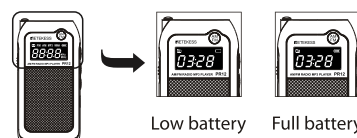
Put function switch to "Radio" or "MP3" to switch unit on, and turn off unit by putting switch to "off".

2

**POWER SUPPLY**

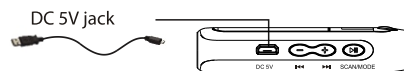
**1. Built-in lithium battery (500mAh)**

When LCD display "☐", it means it's low battery, please charge battery. You can use the 5V adaptor to charge battery, and battery indicator on LCD display will flash "▣". After about 4 hours, the battery indicator on LCD will display a "▢", it means the battery is full. You can charge the battery when the unit is off.



**2. DC power supply**

Use the USB charge cable to connect this unit and your computer, or other 5V USB adapter. Small plug inserts into the unit's DC jack.



Caution: When unit is connected with computer by USB cable, you can move power switch (4) to SD, and put micro SD card into card slot (2), then you can read the date inside micro SD card by computer. And you can transfer data from computer to micro SD or from micro SD to computer. If you want to exit this function, just put function switch (4) to off and it continue battery charging.

3

**MICRO SD CARD PLAYBACK**

Put the power switch (4) to "SD" to make power on, and LCD display is kit up at the same time.



1. Insert a micro SD card with MP3/WMA format music to the micro SD card slot (2) on the unit to playback, you can find the track # shown on LCD display for about 2 seconds, and then display the playback time.
2. Press "Play/pause" button (7) to pause playback and press this button again to resume playback during playback mode.
3. Short press "Previous/next" button (8) to select the track you want, long press these two buttons for volume control.

**Remarks:**

Unit setup default micro SD card playback when it's power on, if you want to change play mode, please shift micro SD to radio by "Function switch" (4).

**RADIO FUNCTION**

Press "Function switch" button (4) to radio mode, you can see FM frequency shown on LCD display.

1. Press AM/FM selector (5) to the band you need.
2. Long press "SCAN/MODE" button (7) to radio auto scan (ATS) function, you can see AM or FM station will be automatically saved in memory,

4

until all stations are saved in unit memory, ATS will auto stop and playback the first station in memory.

3. For FM, there are two options. One is from 87-108 MHz, another is from 64-108 MHz, but default frequency is from 87MHz to 108MHz, you can change the FM option by long press "AM/FM" selector (5) for about 6 seconds when unit is under FM mode.
4. For AM, frequency is from 522-1710 kHz, there are two options for AM step frequency, one is 9 kHz, another is 10kHz, you can change the AM step frequency by long press "AM/FM" selector (5) for about 6 seconds when unit is under AM mode.
5. Short press "Previous/Next" key to switch preset radio station; Short press "SCAN/MODE" key to switch to manual adjustment mode, then press "Previous/Next" to adjust radio frequency manually.

**Remarks:**

Please pull out FM antenna when listening to FM radio for best reception.

**TECHNICAL SPECIFICATIONS**

1. Power: DC 5V 0.6A
2. Battery: Built-in 500mAh/3.7V rechargeable lithium battery
3. External earphone: 3.5mm 32
4. FM frequency: 64-108MHz
5. AM frequency: 522-1710kHz
6. Output power: 3W
7. Unit weight: 72.6g(Without accessory)
8. Unit size: 46(L)x18(W)x88(H) mm

5



Before using this radio, read this guide which contains important operating instructions for safe usage and RF energy awareness and control for compliance with applicable standards and regulations.

**Local Government Regulations**

When radios are used as a consequence of employment, the Local Government Regulations requires users to be fully aware of and able to control their exposure to meet occupational requirements. Exposure awareness can be facilitated by the use of a product label directing users to specific user awareness information. Your Reteless radio has a RF Exposure Product Label. Also, your Reteless user manual, or separate safety booklet includes information and operating instructions required to control your RF exposure and to satisfy compliance requirements.

**Unauthorized modification and adjustment**

Changes or modifications not expressly approved by the party responsible for compliance may void the user's authority granted by the local government radio management departments to operate this radio and should not be made. To comply with the corresponding requirements, transmitter adjustments should be made only by or under the supervision of a person certified as technically qualified to perform transmitter maintenance and repairs in the private land mobile and fixed services as certified by an organization representative of the user of those services.

Replacement of any transmitter component (crystal, semiconductor, etc.) not authorized by the local government radio management departments equipment authorization for this radio could violate the rules.

**FCC Requirements:**

• This device complies with part 15 of the FCC Rules. Operation is subject to the following two conditions:  
 (1) This device may not cause harmful interference, and  
 (2) this device must accept any interference received, including interference that may cause undesired operation.  
 • This equipment has been tested and found to comply with the limits for a Class B digital device, pursuant to Part 15 of the FCC Rules. These limits are designed to provide reasonable protection against harmful interference in a residential installation.  
 This equipment generates uses and can radiate radio frequency energy and, if not installed and used in accordance with the instructions, may cause harmful interference to radio communications. However, there is no guarantee that interference will not occur in a

6

particular installation. If this equipment does cause harmful interference to radio or television reception, which can be determined by turning the equipment off and on, the user is encouraged to try to correct the interference by one or more of the following measures:  
 -- Reorient or relocate the receiving antenna.  
 -- Increase the separation between the equipment and receiver.  
 -- Connect the equipment into an outlet on a circuit different from that to which the receiver is connected.  
 -- Consult the dealer or an experienced radio/TV technician for help.

**CE Requirements:**

• (Simple EU declaration of conformity) Henan Eshow Electronic Commerce Co., Ltd declares that the radio equipment type is in compliance with the essential requirements and other relevant provisions of RED Directive 2014/53/EU and the ROHS Directive 2011/65/EU and the WEEE Directive 2012/19/EU; the full text of the EU declaration of conformity is available at the following internet address: [www.reteless.com](http://www.reteless.com).

**Disposal**

The crossed-out wheeled-bin symbol on your product, literature, or packaging reminds you that in the European Union, all electrical and electronic products, batteries, and accumulators (rechargeable batteries) must be taken to designated collection locations at the end of their working life. Do not dispose of these products as unsorted municipal waste. Dispose of them according to the laws in your area.



**IC Requirements:**

Licence-exempt radio apparatus  
 This device contains licence-exempt transmitter(s)/receiver(s) that comply with Innovation, Science and Economic Development Canada's licence-exempt RSS(s). Operation is subject to the following two conditions:  
 (1) This device may not cause interference.  
 (2) This device must accept any interference, including interference that may cause undesired operation of the device.  
 Le présent appareil est conforme aux CNR d'Industrie Canada applicables aux appareils radio exempts de licence. L'exploitation est autorisée aux deux conditions suivantes :  
 (1) l'appareil ne doit pas produire de brouillage;  
 (2) l'utilisateur de l'appareil doit accepter tout brouillage radioélectrique subi, même si le brouillage est susceptible d'en compromettre le fonctionnement.

**RF Warning Statements**

The device has been evaluated to meet general RF exposure requirement. The device can be used in portable exposure condition without restriction.

7

**RF Exposure Information**

- DO NOT operate the radio without a proper antenna attached, as this may damage the radio and may also cause you to exceed RF exposure limits. A proper antenna is the antenna supplied with this radio by the manufacturer or an antenna specifically authorized by the manufacturer for use with this radio, and the antenna gain shall not exceed the specified gain by the manufacturer declared.
- To avoid interference, turn off the radio in areas where signs are posted to do so.
- DO NOT operate the transmitter in areas that are sensitive to electromagnetic radiation such as hospitals, aircraft, and blasting sites.

**Avoid Choking Hazard**

Small Parts. Not for children under 3 years.

**Protect your hearing:**

**WARNING**  
 • Use the lowest volume necessary to do your job.  
 • Turn up the volume only if you are in noisy surroundings.  
 • Turn down the volume before adding headset or earpiece.  
 • Limit the amount of time you use headsets or earpieces at high volume.  
 • When using the radio without a headset or earpiece, do not place the radio's speaker directly against your ear.  
 • Use carefully with the earphone maybe possible excessive sound pressure from earphones and headphones can cause hearing loss  
 Note: Exposure to loud noises from any source for extended periods of time may temporarily or permanently affect your hearing. The louder the radio's volume, the less time is required before your hearing could be affected. Hearing damage from loud noise is sometimes undetectable at first and can have a cumulative effect.

**Approved Accessories**

**WARNING**  
 • This radio meets the RF exposure guidelines when used with the Reteless accessories supplied or designated for the product. Use of other accessories may not ensure compliance with the RF exposure guidelines and may violate regulations.  
 • For a list of Reteless-approved accessories for your radio model, visit the following website: <http://www.Reteless.com>

**EU Importer:**  
 Name: Germany Retevis Technology GmbH  
 Add: Uetzenacker 29, 38176 Wendeburg

8